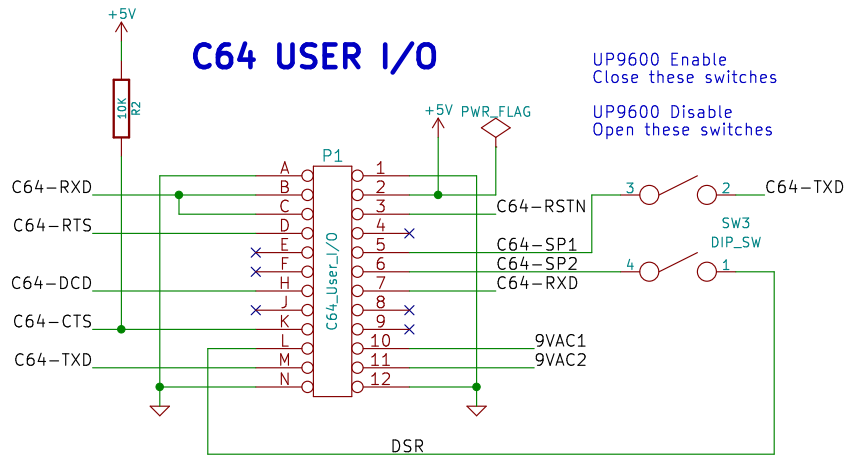
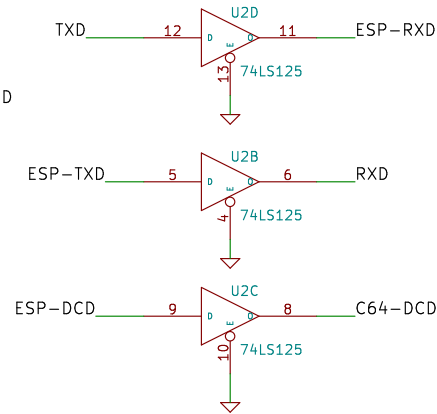


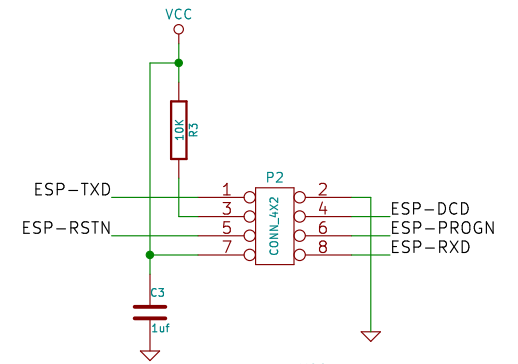
## C64 USER I/O



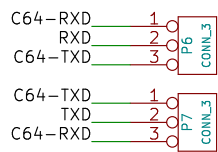
## Level Shifters



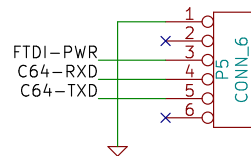
## ESP-01 I/O



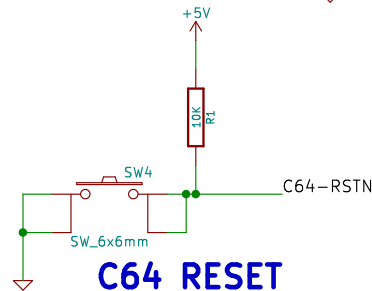
## RX TX Jumpers



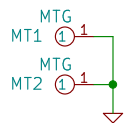
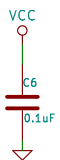
## FTDI Cable



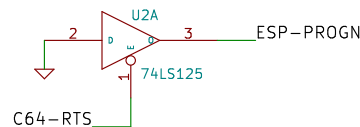
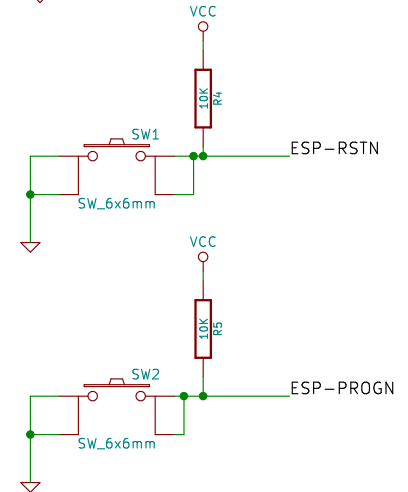
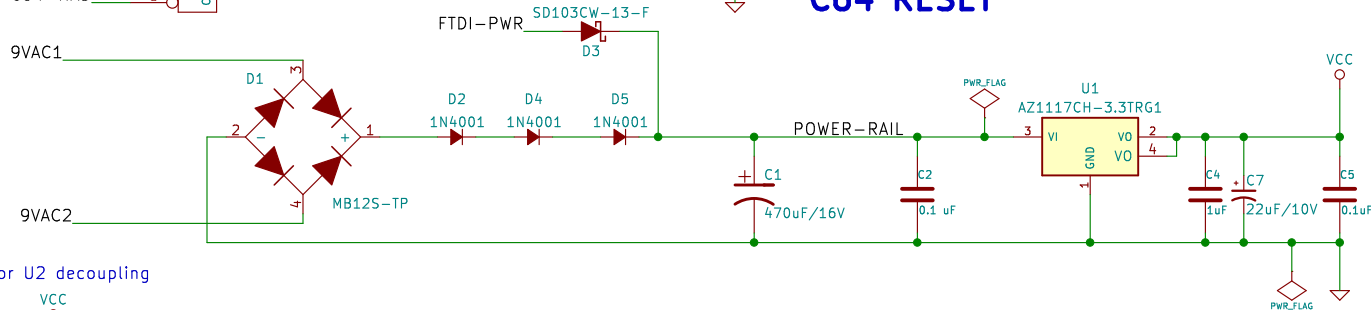
## C64 RESET



For U2 decoupling



## Power Supply



Engineer: Carlos Santiago  
Electronics Is Fun

Sheet: /  
File: C64Net.sch

**Title: C64Net Wifi Network card**

Size: A Date: 2017-07-09

KiCad E.D.A. kicad 4.0.2-stable

Rev: 0.4

Id: 1/1

- Notes:
1. For C64 operation. Install P6-1 to P6-2, and P7-1, P7-2 jumpers.
  2. For FTDI operation. Install P6-2 to P6-3, and P7-2 to P7-3 jumpers.
  3. FTDI cable (5V type) is used for standalone operation using a PC.
  4. For C128 disable UP9600, open dip switches.