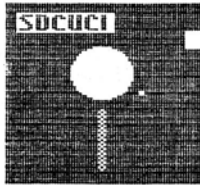


**SOUTHERN DISTRICTS COMMODORE  
USER CLUB INC.**



**THE DISPATCH DISK  
SEPTEMBER 1990**  
Newsletter Vol.4/No.9



**THE EDITORIAL**

Hello everybody,

In this issue of the "DISPATCH DISK" we have a few interesting articles, there is a review of a word processor, a write protect switch and the other details our clubs progress for the year 1990. In the LIBRARY NEWS Jeff reviews a new disk, for the disk library. From what I've heard on the grapevine it is a very good disk, with some excellent utilities. Plus the crossword will help, would be programmers and programers, in easier Keyboard typing. Also a few interesting POKES plus HINTS and TIPS.

**QUESTIONNAIRE** :-The response to the questionnaire has been a little slow up to date, as some members have not handed in their completed questionnaires. This has delayed the processing of these forms so we can use the information to run the club in a beneficial manner. So it would be appreciated if these out standing questionnaires could be completed and handed in as soon as possible, thank you!.

**REMINDER** :-Next months meeting (OCT17th) is our ANNUAL GENERAL MEETING. It would be helpful if, as many members as possible attend this meeting to have their say in the running of our user group. So start thinking about your nominations and be there to have your say.

EDITOR JAN VAN DE BELT

**CONTENTS**

SUBJECT	PAGE
EDITORIAL	1
LIBRARY NEWS	2-3
WRITE PROTECT SWITCH	4
TASWORD	5
ANNUAL GENERAL REVIEW 1990	6
CROSSWORD	7
DISPATCH DISK NOTES	8

**POKES & PEEKS**

As mentioned a POKE is a value placed in a specific memory location, while a PEEK tells you what value is stored at a specific memory location.

Since the Commodore has so many PEEK holes, an protection scheme is to poke a mystery value into a location with a "loader program" and the PEEK at the location from the "main program" to see if the value is Correct. For example:-

```
5 REM ** LOADER PROGRAM **
10 REM [SHIFT-L]
20 REM LINE 10 DISABLES LIST
   SO NOBODY CAN SEE MY POKE
30 POKE 728,124
40 LOAD "MAIN PROGRAM",8
```

```
5 REM ** MAIN PROGRAM **
10 IF PEEK(728)<>124 THEN 6000
20 REM PROGRAM STARTS HERE
5999 END
6000 REM NERD TRAP#1
6010 PRINT "YOU NERD!"
6020 NEW
```

In line 10(in the loader program), REM [SHIFT-L] Produces a SYNTAX ERROR message and stops list.

Another way of stopping list is by these following POKES:-

```
POKE 774,131 DISABLES LIST AND LOCKS
   UP SYSTEM
POKE 774,164 DISABLES LIST NO LOCK UP
POKE 774,26 ENABLES LIST
```

**\*HINTS & TIPS (FOR GAMES FANATIC'S)\***

A couple of pokes for COMMANDO :-

- \* Load and RESET. Then POKE 14631,0 and SYS 218 for infinite Geanades.
- \* POKE 14631,0 : POKE 14632,96 THEN SYS 218 for increased speed.

**HAPPY POKING**

\*\*\*\*\*

## LIBRARY NEWS

First things first. If you are looking for me tonight or at the next meeting, then you won't find me. No, I haven't lost interest in Commodore computing. But computing led to an interest in music especially computer music. And I have decided that I would be a better computer musician, if I knew what an ordinary musician does. So for the next six Wednesday nights, I am off doing a WEA Course called "Start Playing Keyboard".

However, Ross Edwards will have the 64 Public Domain Disk Catalog at the next two meetings. If you want something from it, fill out one of the Order Forms at the front of the Catalog, give it to Ross with the required \$ amount and he will have the disk/s for you at the next meeting. If you want a disk pronto, give Ross an extra \$1 and I will post the disk/s off to you in the next few days.

**This month's disk is an excellent one. Elsewhere you will find full details of its contents. It is a disk full of accessories for use in conjunction with PrintShop - and you all have PrintShop (well, all of you who have printers). Ross will have a few copies of the disk with him. First in, best dressed. The rest of you will have to place an order.**

**Magazine Library:** Frankly use of the Magazine Library has been disappointing. (Ross refuses to take it down when I don't come, "because nobody borrows them anyhow!". When I hear, people say that they are anxious to learn how to use their computer but won't read the excellent magazines about (not the games magazine), I wonder how Fair Dinkum they really are. when I learnt to use my C-64, there weren't many people about who could help me (and I didn't belong to a User Group). Most of my knowledge came from Computel's Gazette and Run magazines - and I don't regret one moment I spent reading them. Think about it!

Until November, Happy Computing

PS I am available to continue in the job of 64 Disk Librarian at the AGM.  
PPS I am still looking for the new 128 Disk Librarian - and the disk box is getting pretty dog-eared.

**SDCUC PUBLIC DOMAIN DISK NO. 36**  
**PRINT SHOP UTILITIES**

**PRNTSHOP LBL/CBM:** This program prints standard one inch mailing labels using Side B (2 block) Print Shop Graphics and text on your Commodore (or Commodore compatible) printer

**PRNTSHOP LBL/EPS:** This program prints standard one inch mailing labels using Side A (3 block) Print Shop Graphics and text on your Epson (or Epson compatible) printer

**GRAPHICPAPER/CBM:** This program prints graph paper with the proper aspect ratio for designing Print Shop Graphics. Works not only on C-64 but also on a C-128 (in 128 mode). For use with Commodore (and Commodore compatible) printers.

**GRAPHICPAPER/EPS:** This program prints graph paper with the proper aspect ratio for designing Print Shop and PrintMaster Graphics. Works not only on C-64 but also on a C-128 (in 128 mode). For use with Epson (and Epson compatible) printers.

**PSLABEL/CBM V3.0:** This program prints standard 1 inch mailing labels using Print Shop Side B Graphics (2 block) and text of your choice on a Commodore (or Commodore compatible) printer.

**PS ENV PRNT 2.0:** This program makes an envelope for Print Shop Greeting Cards including to and from address if required.

**PS.SWITCH:** This utility will reverse the direction of Print Shop Graphics - What's Left will be Right.

**PS/PM/NR V1.2:** A very useful utility which enables you to transfer graphics between Print Shop, PrintMaster and Newsroom formats.

**PS DUMP CBM VO:** Prints out selected 2 block Print Shop Graphics in rows of 5 across the page with the name of the graphic underneath each graphic.

**PSPRINT:** Prints out all the 3 block Print Shop graphics on a disk in rows of 10 with the title of the graphic underneath. Has a small problem in lining up the graphic titles on an Epson compatible printer.

**PS B TO A V1.0:** Converts 2 block Print Shop Graphics to 3 graphics. Excellent conversions expands graphic to utilise the total extra area available for 3 blocks.

**PS A TO B V1.0:** Converts 3 Print Shop block graphics to the CBM 2 block size.

**PS 2 FM:** Converts Print Shop Graphics to Font Master II Graphic Fonts.

**PSLABEL/STAR:** This program prints standard one inch mailing labels using Print Shop graphics and the text of your choice on an Epson or compatible printer.

**PS DUMP 2.0+:** Prints 3 block Print Shop graphics in line of 10 graphics with the title in compressed print underneath. Works on Non-Commodore printers such as Gemini/SG-10 or EPSON compatible printers.

**PS CATALOGER:** This program prints standard Print Shop graphics on an Epson or compatible printer. Choice of font styles available for the text including expanded, condensed, subscript, italic, expanded italic, condensed italic and subscript italic.

**EPSON PS DUMP:** This program prints out all the Print Shop graphics on a disk in rows of eight.

**PS GR - DD:** This program transfers Print Shop Graphics into a Doodle Picture format. Save option available. Process can also be reversed. Create Print Shop graphics from Doodle images

**PSHOP/DOODLE:)**

**DOODLE/PSHOP:)** These 3 programs convert picture files between the various formats.

**PSHOP/KOALA: )**

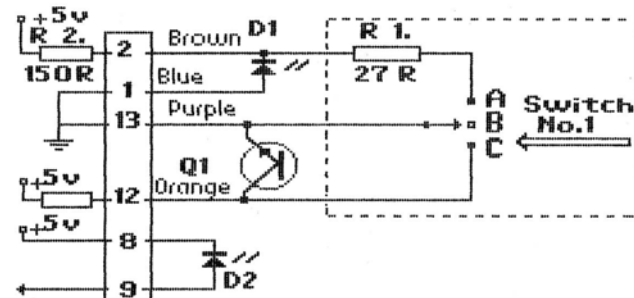
**SD PS/PM CONV:** Converts graphics between PrintMaster and Print Shop.

# Writeprotect Switch

For your Disk Drives.

Have you ever bought a program or game on a disk which uses both sides of that disk and on closer inspection found that only side one has been notched? Or have you spent hours typing out a program then tried to Save it and been stuck with the hassels of taking off the Write Protect Tab just to save it then replace the tab again for safety reasons? These hassels can be overcome quite easily and inexpensively by installing a Writeprotect Switch. Disks can be Formated, Written on, Programs Scratched or anything that an unprotected disk can be done to, and with the flick of a switch be very safe.

The only initial hardware required is a DP3T (Double Pole Three Throw) Switch or DPDT (Double Pole Double Throw) Centre Off Switch and a 27ohm 1/4 watt Resistor a total cost of about \$4.00. The circuit diagram below shows the connection of 3 wires with the resistor in line off one of the wires, all three wires are joined to existing wires which are clearly and easily found on the circuit board.



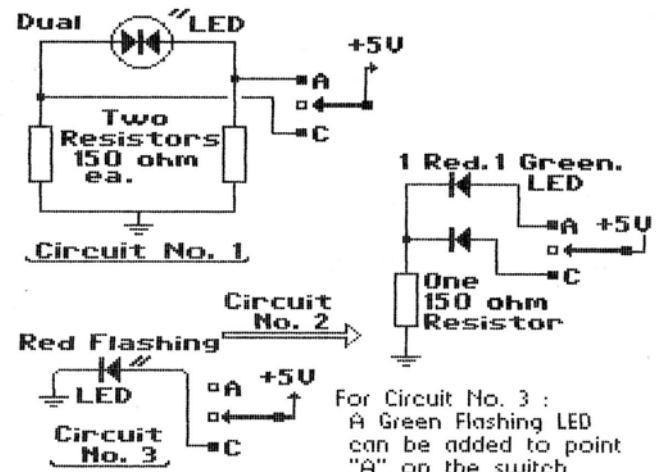
- Switch 1
- A** = Writeprotect ON  
( No data can be written to the disk at all.)
  - B** = Normal operation.
  - C** = Writeprotect Off  
( Data can be written to disk at all times, wether W/P tab on or not)

This Circuit diagram is from the 1541 Disk Drive and I have applied it to a 1570 D.D. On closer examination I have discovered that the 1570 D.D. has a 1571 circuit board in it. It is set out differently to the 1541 but the wires are still colour coded the same, even though there are a few wires of the same colour it does not take much to trace the correct wires to where they go to the disk notch light.

The positioning of the switch is up to you as well as the type of switch. I chose a DP3T ( Double Pole Three Throw ) slide switch which suited my requirements.

A minor problem could arise if the switch was placed at the back of the Disk drive, out of harms way, and that is that you have no way of knowing what state the switch is in until it is possibly to late. If the switch is out of your clear sight you have no way of knowing wether you have switched it back to its normal position (central pos.) or Writeprotect OFF or Writeprotect ON, except by feeling for it ! If you remember too.

With the aid of two resistors and a Dual coloured LED, I was able to place an indicator light on the front to tell me at all times what state it is in. ( Red for Write/P. ON. - Green for Write/P. OFF. - LED Off for normal operation). I have provided Three circuits for indicator lights which can be wired up on the same switch. The cost of the extra parts range from \$1-\$3. I chose circuit no.1 only because I had the parts available to me already but it is just as simple to use one of the other circuits.



The +5U power was taken from the resistor on the circuit board which supplies the power to the writeprotect LED. All the circuits require a wire to be soldered to the Power another to Earth and at least two to the switch with possible resistors in between. Circuit No.3 is the simplest to connect but I find that you do not know when the write protect is On, only when it's Off ( Flashing ).

The switch system does not bother the Read part in any state or performance in any way. This article was originally produced for a 1541 drive, I have applied it to a 1570 and I have no doubt it is the same as a 1571 external drive, with a bit of close inspection it will also be easy to fit a 1571 drive in a 128D.

Robert M Cloosterman. . . . .

THE WORD PROCESSOR

This is a reasonably easy to use, and powerful word processor. It has most of the features found on most word processors plus a few more. It is a type or WYSIWYG word processor that uses, series of control key commands to manipulate both text and cursor.

TASWORD has a 40 or 80 character per line display, by simply pressing CONTROL-O. It has on screen formating, with the normal features of other word processors such as automatic word warp, right justification. Current margin and tabs stops are displayed in an on screen ruler, which also displays the the number of lines and columns used.

It has all the usual features like CURSOR MOVEMENT (start/end of text/line. Scroll up/down, word left/right of), plus page breaks. FORMATING COMMANDS (Move text left/right, centre line, justify/unjustify line or paragraph). Plus setting and resetting of margins and a convert capitals to lowercase or lowercase to capitals.

There are also the following features, DELETE/INSERT COMMANDS (characters/words/lines/blocks (delete only)). TAB COMMANDS (set/reset individually or all tab stops). SEARCH AND REPLACE (find and replace a word/group of words). BLOCK COMMANDS (mark/cancel start-end of block, move/block and delete block). PRINT OPTIONS Include the following (any number of copies/automatic page numbering/predefined footers and heads). Plus Printer control characters that allow you to take full advantage of the typestyles and features available on your printer.

It has the benefit of having a single keypress help screen, (a total of three pages), which summarises the above commands. It aslo has a DISC OPERATION (disc management commands allowing files to be erased and renamed from directly within program, also options to format and validate disks).

A very handy feature is the PROGRAM CUSTOMISATION which has a comprehensive set of program customisation facilities options include the ability to define screen colours, cursor type and layout of the printed page. It has the ability to redefine print control charaters enables you to make use of all the typestyles and features on your printer. Tasword also includes the facility to save the customised program (cassette or disk). so that a working copy of the program can be created which has been amended for your own personal preferences and requirements.

TASWORD is supplied on disk or cassette and has a comprehensive manual, in addition to the main program, there is a inbuilt tutor, (Tasword 64 tutor), supplied as a text file.

The tutor teachers you how to use the program and introduces you to all the features and facilities avaiable in the program.

With all the above mentions features and facilities TASWORD is a very handy word processor, it's the best that I have personally come across. There are a few faults as with any word processor. There is a six page Limit, but I've had no problems with this as I save every page as I go along, there are no font facilities and no spelling checker. Apart from these faults I found Tasword to be a very good word processor and am very pleased with the results I'm getting from it and tasword suits my needs admirably.

A word processor is as only good as what is required from it and how it is used. One must choose a word processor for it's ease of use and praticitality. Plus suitability to what one requires to use the word processor for. If you choose sensably you will be able to enjoy your word processing and produce the results you require.

JAN VAN DE BELT

## 1990 Annual Review

It is almost that time of the year again. Eleven months ago the A.G.M. was held where the whole Committee stepped down and a new committee or part committee was elected. The Executive members, a pitiful three out of a possible six or more, struggled to ReRaise interest in previous and future members. At the clubs Expense Adds were placed in newspapers the weekend before the clubs meeting night with only minimal results. The Southern Times Messenger newspaper ran a free add in a column called **DIARY DATES** of which we have had a marvelous response, even though we have had difficulty in placing the add in by the due date.

Over the last four months or so, membership has grown rapidly including some members paying in advance for next years Annual fee. To these people I say **THANK YOU**. The 1990 A.G.M. is being held next month, October the 17th, to which we urge **ALL** people to attend because we want to make it an enjoyable evening and we wish that all people elect the right person for the job that they feel will do the job best to their satisfaction. We now have a Committee of Six members which, after the A.G.M. we hope to be larger with New people with New Ideas.

Each club night we have attempted to have a demonstration which may have interested someone if not everyone that came. It has been difficult for the committee to come up with demonstrations to be of interest to everyone, because not every person has the same preferences.

Going back over the committee notes of the past 10 months, we have had demonstrations on :

- GEOS + Geos Workshop night
- Newsroom, Print Shop
- Easy Script, Load Star
- Easy Mail, Super Cat
- D.C.M.R. ( a Disk Cataloguing

program )

Serial Interface for non Commodore printers,  
and Two Work shop nights . . . .

Our best response has been from GEOS because most people that buy a Commodore 64 usually have a GEOS disk supplied with it and then don't realise the potential of the program. Articles for the Dispatch Disk are usually written with the aid of GEOS, including this article and I have no doubt many future articles.

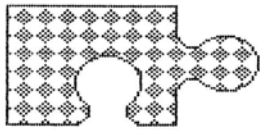
The club has had a huge response to the purchase of top quality No Brand blank disks and are selling almost faster than we can get them. In four months the club has purchased 630 disks and selling them to club members at the cost of \$7.00 for a box of ten, making just enough to cover costs. Anyone interested in purchasing more, see me.

Since I have been the clubs President, I have come to realise that it is not easy to run a club, expense wise, hence the club now has a cover charge of \$1.00 per family. This cover is for the Dispatch Disk and the bottomless cups of Coffee and Tea with a couple of biscuits. If anyone requires an extra newsletter they are available at a cost of 50cents each. The small profit that the club makes goes to purchasing Magazines, Disks and any other items that the club requires.

The club meetings are still being held the Third Wednesday of each month at the House at the rear of the Salvation Army Hall, Elizabeth Rd., Morphett Vale at 7.30pm, until further notice.

One Final Reminder :  
Annual Subscriptions are due next month, PLEASE help us by paying on time. . . Thank You. . . .

**Robert Cloosterman.**



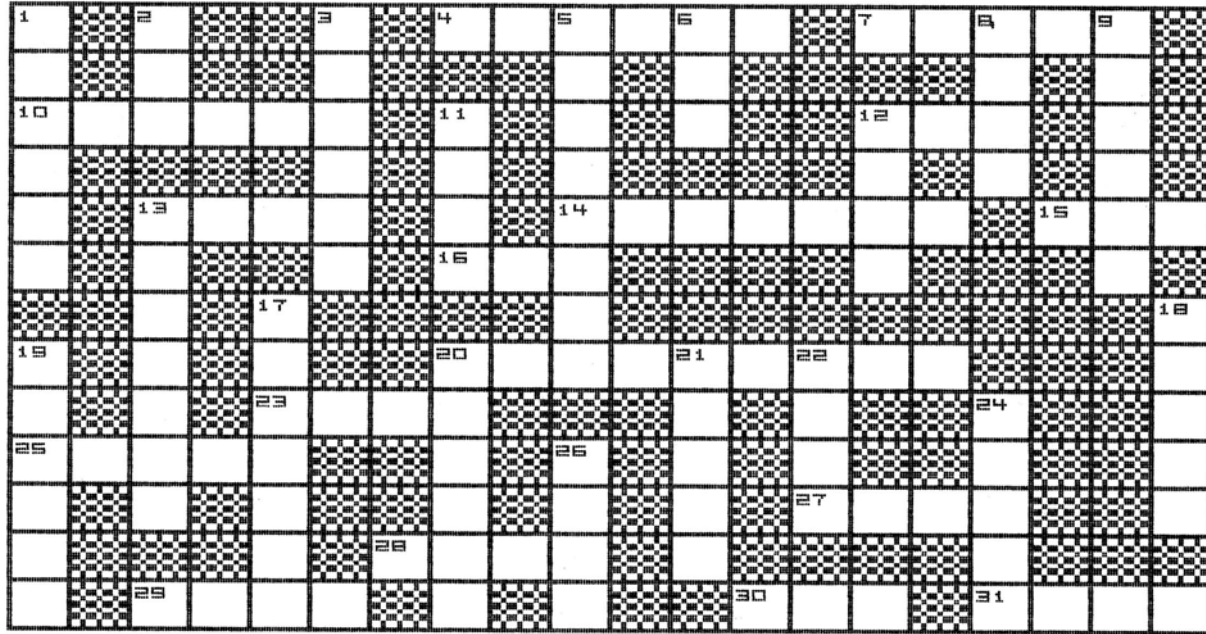
# COMPUTER PUZZLE CROSSWORD NO.1



(Keyboard Shortcuts)

To solve puzzle change the keyboard abbreviations into the correct command words. E.G. :- R shift-U is RUN

KEYBOARD SHORTCUTS



ACROSS CLUES

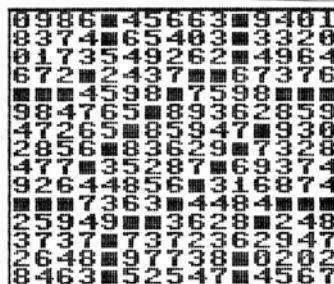
- 4. V Shift-E
- 7. WI Shift-D
- 10. RE Shift-T
- 12. L Shift-E
- 13. G Shift-O
- 14. MD Shift-N
- 15. K Shift-E
- 16. T Shift-A
- 20. DI Shift-R
- 23. S Shift-A
- 25. ?
- 27. N Shift-E
- 28. ST Shift-O
- 29. PE Shift-E
- 30. C Shift-M
- 31. L Shift-O

DOWN CLUES

- 1. S Shift-P
- 2. G Shift-E
- 3. W Shift-I
- 5. REN Shift-U
- 6. F Shift-O
- 8. D Shift-A
- 9. HE Shift-A
- 11. L Shift-I
- 12. LO Shift-O
- 13. G Shift-R
- 17. RE Shift-S
- 18. GO Shift-S
- 19. A Shift-P
- 20. DE Shift-L
- 21. CL Shift-O
- 22. O Shift-P
- 24. U Shift-N
- 26. CO Shift-P

\*\*\*\*\*

**AUGUST PUZZLE  
ANSWER**  
(Fill in no.1)



## DISPATCH DISK NOTES

### COMMITTEE 1989-90

President R. Cloosterman 382-0781  
Secretary M. Tippins 381-3181  
Treasurer A. Heard 085 56-5828  
Asst. Secret A. Morrison 085 56-5013  
Newsletter ED. J. Van De Belt 382-8660  
64 Librarian J. Carey 294-8447  
128 Librarian M. Tippins 381-3181  
Our Disk and Magazine libraries are open at each general meeting from 7:30pm.

If you have any contributions for the newsletter, see Rob, Jeff or Jan.

### NEXT MEETING

Our next general meeting will be held on the 17th OCTOBER 1990 7:30pm.

SUBJECT :- ANNUAL GENERAL MEETING  
Plus BASIC continued and a General Workshop.

LOCATION :- Meetings are held in the house behind the Salvation Army Hall at 186 Elizabeth Rd. in Morphett Vale, just in from Beach Rd.

### MEETING RULES

- 1) NO SMOKING
- 2) NO DRINKING
- 3) NO SWEARING

Though the generosity of the Salvation Army, we are allowed to use the facilities in this house, in return for which we give them a relatively small donation. We ask for your co-operation in respect to the above.

While we can not control what people do away from our club meetings, Piracy of copyright material can not be condoned at our meetings.

### DISCLAIMER

The views expressed in this newsletter are those of the writers, and are not necessarily those of the club's committee or members.

The use of the word "COMMODORE" in no way implies any connection with any organisation bearing that name.

No part of "THE DISPATCH DISK" may be copied or reproduced in any way without the written permission of the committee and the author.

### WANTED

ASSISTANCE REQUIRED -THE CLUB STILL NEEDS THE ASSISTANCE OF SEVERAL MEMBERS IN THE FOLLOWING AREAS:-

- 1) Newsletter contributions
- 2) Expert Register. PLEASE help us to help others with their problems.

DEMONSTRATION TOPICS -If you have any requests for topics you would like to see demonstrated, speak up. Even, if it has already been done, and you missed it let us now. If there is reasonable interest, it can probably be repeated.

FUTURE MEETINGS - Help us to spread the word of our existence. Write out some small notices and place them where people will see them. Your local supermarket usually has a notice board as do some Newsagencies and Delis.

### FOR SALE

PUBLIC DOMAIN SOFTWARE - We have a large range of PUBLIC DOMAIN Software for sale through our library. Prices represents very good value. Catalogue disks are also available for only \$1.00. See Jeff at tonight's meeting for any enquires.

CHEAP DISKS -How much do you pay for your blank disks?. The club is making bulk purchase of disks to help members save some money. The price of these disks is 70c per disk, which works out to be \$7.00 for a packet of 10. If you are interested in some, see Rob at tonight's meeting.

### MEMBERSHIP FEES

The scale of membership fees for this year will be as follows :-

Joining Fee for new members	\$5.00
Membership fee (to A.G.M)	\$5.00

All pervious members who have now renewed their membership are unfinancial and will have to rejoin the club and pay the joining fee again in order to add items to the club's disk and magazine libraries, we need money, so please pay up promptly.