

*THE DISPATCH DISK  
MAY 1990*



THE EDITOR'S DESK  
7/5/90

Hello Everyone,

I shall introduce my self. My name is Jan Van De Belt. If you wish you can call me John. I am a new member who wisely or unwisely, have accepted the position of editor. I will attempt to do my best to fulfil the duties as well as Terry Pitt-(former editor).

I hope that my limited skills, experience and knowledge of the C64 will be of some use to the club. Please bear with me, any mistakes I might make doing the newsletters as this is my first attempt of doing anything like this.

I have had a C64 for the past three to four years, I have only just got the disk drive last August. It beats waiting for the data cassette to load programs, you could almost take a holiday waiting for long programs to load. A printer was obtained a few months later, then up graded to the present outfit.

I will probably be experimenting with layouts, fonts and programs (software) until I get a satisfactory result. At the moment I'm using GEOS and TASWORD.

As editor of the 'DESPATCH DISK' I would appreciate some, assistance from other club members in the form of Feedback, on what you think about the newsletter eg:- Layouts, Articles, Contents, Emphasis, (Over or under of topics). Any feedback (good or bad) on any of the above would be very helpful.

ARTICLES!, What are ARTICLES?. Articles are written subject matter of various topics, enhanced by occasionally graphics (if desired). Submitted by Members, Committee Members or Interested parties.

The ARTICLE could even be a photo copy of an item that could be of interest to the club. Plus Articles could be any of the listed:-

- 1) LETTERS TO EDITOR. (good or bad).
- 2) REVIEWS (C64/128). Items eg. Games, Books, Cartridges ETC.
- 3) CLASSIFIED ADS. (Its free to advertise).
- 4) QUESTIONS. About (hardware and software) or problems you are having (even anonymous).

If we receive enough problems and questions, we could even start a problem solving column. Any form of assistance, as above or otherwise will be greatly welcomed and appreciated. 'REMEMBER It's your NEWSLETTER'!, so any input will improve it.

To submit any Material, Ideas or assistance CONTACT Me or my wife (Christine) at :-

12 ALEXIS ST  
CHRISTIE DOWNS  
S.A. 5164  
PH. 3828660.

JAN VAN DE BELT - EDITOR.

**CONTENTS**

SUBJECT	PAGE
Editor's Desk	1
Georam	2
Welcome Note	3
Note Of Thanks	3
Joystick Pad	4
Problem Page	5
Dispatch disk Notes	6

# GEORAM

Last month, I gave you a news flash about GEORAM - an additional 512k of memory for the C-64 whilst in GEOS mode. Now I have been able to get hold of some comments by an actual owner/user in the U.S.

He writes :

*"I use Geos V.2.0, GeoPaint and GeoWrite and GeoPublish a lot. With the increased usage, I needed more speed. The Commodore REU's for the 128 are almost impossible to find and though I know of one company that offers one, the cost is about \$200. Recently, Berkeley introduced their own memory expansion called GEORAM. It provides a 331k ram disk for GEOS 128. The RAM unit is 512k. The cost is \$125. plus shipping. I ordered one in early December and received it just before Christmas.*

*I received the following package: The GEORAM unit, which is about 6 inches long and 3 1/2 inches wide. A new system GEOS 2.0 disk and back up with GEOS 128 on one side and GEOS 64 on the other, and a user manual. The unit plugs into the cartridge port. You must use the new system disk for booting GEOS as it contains the software on it to run the GEORAM unit. Berkeley says, and I quote "This version of the system disk is functionally identical to GEOS 2.0 and the deskTop 2.0 shipped on it is identical to the one in the GEOS 2.0 package, so you can leave the deskTop on all your work disks. The configure program is different, and must replace the configure programs on your work disks".*

*It is unnecessary to buy a more powerful external power supply to use GEORAM with the C-64, as it is with Commodore REU units. I again quote - "The GEORAM is designed using only high speed CMOS technology, including the RAMs, making the power requirements quite small. An external power supply upgrade is unnecessary. The total average current drain is about 80ma".*

*Keep in mind that GEORAM only works for GEOS. But, for Geos it works just like a Commodore REU. Since I had never used a REU, and I knew a club member had one and used GEOS, I asked him for suggestions. Here is what I ended up doing, with his help. I made up a disk with the deskTop, GeoPaint and some graphics on it. I made up another disk with the deskTop, GeoWrite, GeoSpell, the Dictionary and some fonts I use. Still a third disk is made up of the deskTop, GeoPublish, GeoFile and a few mega fonts. To write a letter, for example, and use GeoWrite, I first boot GEOS with the new boot disk. I remove it and put in the second disk as mentioned above. Then I copy from that disk to the GEORAM the files I want to use. This is just like copying from one drive to another, as the RAM acts like a disk drive, but much much faster. I may copy all, or only certain files, depending on my needs. Now I'm ready to write my letter. I use the GEORAM to write the letter and if it is more than a page, I copy the letter to an actual disk drive now and then. This is in case power is lost or some other problem occurs while writing the letter. If power is lost or you turn off the computer, everything is lost in the GEORAM as it is in a REU. You will notice quite a difference even writing a letter (changing fonts, type styles, page to page) and other things while using the RAM. But the biggest difference in speed is in use of GeoPaint or GeoPublish. The redrawing of the screen in those two applications is very fast. I'm sorry to say that the RAM doesn't speed up the printing in GeoPublish, as it is program bound.*

*I'm very pleased with the unit and am happy I bought it. I would offer this recommendation. If you use GEOS quite a bit, I would suggest you consider one. If you are a now and then user, then you will have to consider the cost against the speed up. Keep in mind, you can do no more with GEOS with it as you do without it. Speed is the major benefit. I understand Berkeley is hoping this will cause other software houses to write some GEOS type programs, thus increasing the value of GEOS, and of course extending the life of our wonderful little computers. I for one hope they are right."*

To date, I have not located an Australian supplier for GEORAM, but I am keeping my eyes and ears open.

Article prepared by Jeff Carey  
and put into GeoWrite V2.1 by Ross Edwards

## A WELCOME NOTE FROM THE PRESIDENT

Just a note to welcome some new members to the Club and Committee. It was seven months ago that the new Committee was formed . . . unfortunately it consisted of a BIG 3, President, Treasurer and Librarian. There were many hardships and problems due to the lack of knowing what the procedures were, We Three Musketeers struggled through. I had to bluff my way through being President and temporary Secretary, Terry was a Treasurer without the books for a while and many sleepless night Editor while Jeff having to cope with being the Librarian who struggled on with the Catalogueing and Previewing Public Domain disks, magazines, etc. for the library as well as supplying an article for each months newsletter.

Now we have a better equipped team to handle the tasks after holding a Mid Term Committee Election, we almost have a full house.

I now welcome to the Committee Michael Tippins as Secretary, Tony Heard as Treasurer and Jan Van De Belt as this and hopefully other Dispatch Disk Editor. Some of these people are thrown in unannounced, as to the fact that one of them came to the last meeting as a visitor for the first time and before the week is out becomes a fully fledged Committee Member. To these and other new members including those who may be joining up tonight, I give you a Hearty WELCOME and thank you for joining. I would also like to congratulate Rod Gasson on the article in THE AUSTRALIAN COMMODORE REVIEW, April edition on Jiffy Dos Update for C64ers. Upon reading his article I am sold on the idea of doing the upgrade to my C128 and Disk Drive if I had the cash to do so. To anyone who wants to know more about it in detail see Rod.

Robert Cloosterman

\*\*\*\*\*

## Note Of Thanks

I would like to take this opportunity to thank Terry Pitt for the big effort he has put into the Newsletters ( Dispatch Disk ) since he had elected himself unknowingly as the Editor last October / November.

To those who don't know him too well, he was also the Treasurer when he was not burning the midnight oil on the newsletters. Through the Six months of Terry being on the Committee staff he made many changes to the D.D. starting with the editorial done on Newsroom to doing it with G.E.O.S V2. We all noted the improvements as well as learning a lot more in the execution of these programs. I have no doubt that Terry will keep in contact with us and give us updates and other editorials which might prove handy to the club after all he is only a mere 5 hour drive from Adelaide. ( Mount Gambier )

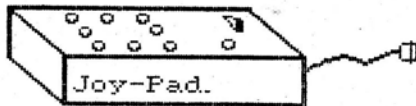
On behalf of the Committee and other members I would like to wish Terry and his Family all the best for the future and hope that we may see him at a meeting in the near future.

Robert Cloosterman

# JOYSTICK PAD

A construction article has been submitted for the use in place of a Joystick on programs such as **Newsroom / Printshop / Printmaster** or anything requiring accurate control of a joystick. Basically it is a small box with momentary On buttons for **Left, Right, Up, Down** and **Fire** or **Return** and a slide switch for **Fire / Return** hold on with a recent update addition for diagonals ( is : left+up, right+up, left+down, right+down ).

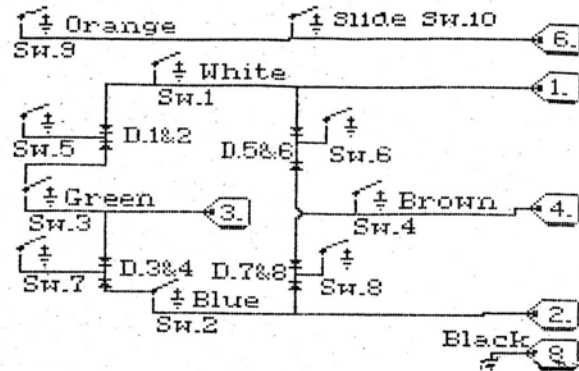
The construction and cost of the unit depends on how accurate or fussy you want to be. The prototype cost about \$9 - \$10, the updated version was approx. \$17 - \$18, even though the price is more than a CHEAP joystick, I believe that it will outlast 2 or 3 cheapies and you will get a lot more enjoyment out of it in making it and using it.



## CONSTRUCTION

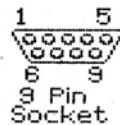
The degree of difficulty to build this unit will depend on what type of switches you use. I used printed circuit board mounted switches which meant they had to be mounted on copper plated strip board and accurately mounted so the buttons protrude through the top of the control pannel. An easier way would be to drill 7mm holes and mounting small push button switches through these holes with a nut and then soldering the wires on the backs of the push buttons. I also used a slide switch for the "**Fire on Hold**" but a mini toggle switch is once again easier to mount. The Diodes for the diagonals and the wiring would be next. Follow the Circuit Diagram for the wiring colours and pin placement on the 9 pin socket.

Once the push button switches are in place it is just a matter of soldering the wires in place and connecting the 9 pin socket to the other end.



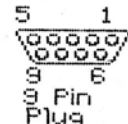
A last minute update on the Joy-Pad was to place another 9 pin plug onto the box so you could get the use of both, Joy-Pad and Joystick simultaneously. For further information and demo's see Rob. . . . .

This is the pin wiring for the 9 pin socket and plug.



Switches 1 to 9 are momentary On contacts. Switch 10 is a SPST slide switch. Diodes 1 to 8 are 1N914. Cable used is 6 core.

9 pin Plugs and Sockets as viewed from the back.



The 9 pin Plug's numbering is reversed as shown.

Below is the Wiring Numbering and Colour Code for the Joy-Pad.

Pin No.	Wire Colour	Function	Switch No.
1	White	Up	One
2	Blue	Down	Two
3	Green	Left	Three
4	Brown	Right	Four
5	Orange	Fire	Nine & Ten
6	Black	Earth	All

Good luck and happy computing . . . . .  
Robert Cloosterman . . . . . President

## DISPATCH DISK

?????? PROBLEM PAGE ??????  
WHERE PROBLEMS ARE SOLVED

Are you having any problems?, such as SOFTWARE, EG:- Programs, Processors, Games, Art, etc. Plus getting the programs to run or how they work and any problems you have using the programs.

HARDWARE, EG:- Printers, Disk Drives, Keyboards, Mouse, etc, Plus any quires on goes better with what and how does it work.

PROGRAMING, EG:- Basic, Machine Language and programing problems. Or any other problems you might be experiencing with the C64/128, plus suggestions for future WORKSHOPS and DEMONSTRATIONS.

---

### PROBLEMS/QUESTIONS

(1)

(2)

(3)

# DISPATCH DISK NOTES

## COMMITTEE 1989-90

President R. Cloosterman 382-0781  
Secretary M. Tippins 381-3181  
Treasurer A. Heard 085 56-5828  
Assistants Still required(interested)  
Newsletter ED. J. Van De Belt 382-8660  
Librarian J. Carey 294-8447

Our Disk and Magazine libraries are open at each general meeting from 7:30pm.

If you have any contributions for the newsletter, see Rob, Jeff or Jan.

## NEXT MEETING

Our next general meeting will be held on the 20TH JUNE 1990 7:30pm.

SUBJECT :- C64/128 PROBLEMS(Workshop)  
Bring in your computer for better access and time for your problems.

LOCATION :- Meetings are held in the house behind the Salvation Army Hall at 186 Elizabeth Rd. in Morphett Vale, just in from Beach Rd.

## MEETING RULES

- 1) NO SMOKING
- 2) NO DRINKING
- 3) NO SWEARING

Though the generosity of the Salvation Army, we are allowed to use the facilities in this house, in return for which we give them a relatively small donation. We ask for your co-operation in respect to the above.

While we cannot control what people do away from our club meetings, Piracy of copyright material cannot be condoned at our meetings.

## DISCLAIMER

The views expressed in this newsletter are those of the writers, and are not necessarily those of the club's committee or members.

The use of the word "COMMODORE" in no way implies any connection with any organisation bearing that name.

No part of "THE DISPATCH DISK" may be copied or reproduced in any way without the written permission of the committee and the author.

## WANTED

ASSISTANCE REQUIRED -THE CLUB STILL NEEDS THE ASSISTANCE OF SEVERAL MEMBERS IN THE FOLLOWING AREAS:-

- 1)128 Disk and book librarian
- 2)Newsletter contributions
- 3)Expert Register. PLEASE help us to help others with their problems.

DEMONSTRATION TOPICS -If you have any requests for topics you would like to see demonstrated, speak up. Even, if it has already been done and you missed it, let us know. If there is reasonable interest, it can probably be repeated.

FUTURE MEETINGS -Help us to spread the word of our existence. Write out some small notices and place them where people will see them. Your local supermarket usually has a notice board as do some Newsagencies and Delis.

## FOR SALE

PUBLIC DOMAIN SOFTWARE - We have a large range of PUBLIC DOMAIN software for sale through our library. Prices start at \$2.00 per disk which represents very good value. Catalogue disks are also available for only \$1.00

See Jeff at tonight's meeting for any enquires.

CHEAP DISKS -How much do you pay for your blank disks?. The club is hoping to make a bulk purchase of disks to help members save some money. It is anticipated that the purchase price (to MEMBERS) will be around 70 cents per disk. If you are interested in purchasing some, see Rob at tonight's meeting.

## MEMBERSHIP FEES

The scale of membership fees for this year will be as follows :-

Joining Fee for new members	\$5.00
Membership fee (to A.G.M)	\$5.00

All previous members who have not renewed their membership are unfinancial and will have to rejoin the club and pay the joining fee again, in order to add items to the club's disk and magazine libraries, we need money, so please pay up promptly.